

# LP SERIES

## MULTIPURPOSE AGM BATTERIES

### VRLA AGM BATTERY

RELIABLE AND SAFE PERFORMANCE FOR MULTIPURPOSE APPLICATIONS.

The LP Series AGM batteries have been specially developed to be widely applicable. These lead acid batteries with AGM technology are completely sealed and therefore 100% maintenance free and leak-proof. These batteries have a low self-discharge. The reliable and safe multipurpose batteries from the LP Series offer a long service life and can be used in various industries.



### FEATURES

- ABSORBENT GLASS MAT TECHNOLOGY
- RELIABLE AND SAFE PERFORMANCE
- LONG SERVICE LIFE - 3-5 YEARS IN STANDBY APPLICATION (AT 25°C)
- COMPLETELY SEALED AND 100% MAINTENANCE FREE
- VERY LOW SELF-DISCHARGE
- SUITABLE FOR MULTIPURPOSE APPLICATIONS
- VDS CERTIFICATION FOR THE SECURITY INDUSTRY

power on command



# MULTIPURPOSE APPLICATIONS

Reliable AGM batteries suitable for multipurpose applications in various industries: security (alarm systems, fire alarm systems and emergency lighting), backup power / uninterruptible power supply (UPS), medical & healthcare (patient lifts, stairlifts and bath lifts), telecommunication systems, green energy systems (solar and wind energy).

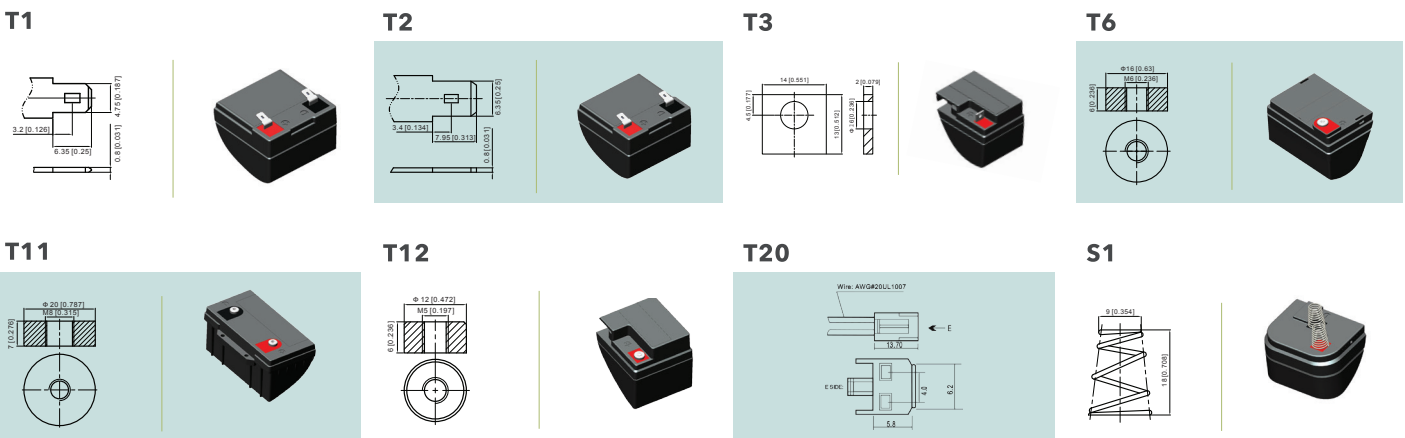


**“VdS certificates guarantee reliability and safety. Essential in the security industry and therefore also for our batteries.”**

## MODELS AND SPECIFICATIONS

Model	Article number	Voltage (V)	Capacity (Ah)	Length (mm)	Width (mm)	Height (mm)	Total height (mm)	Layout	Terminal	VdS- certified
<b>LP6-1.2</b>	NSA LP6-1,2 T1	6	1.2	97	24	52	58		T1	-
<b>LP6-2.8</b>	NSA LP6-2,8 T1	6	2.8	66	33	97	103		T1	-
<b>LP6-3.2</b>	NSA LP6-3,2 T1	6	3.2	134	34	60	66		T1	-
<b>LP6-4.5</b>	NSA LP6-4,5 T1	6	4.5	70	47	100	106		T1	-
<b>LP6-4.5S</b>	NSA LP6-4,5S S	6	4.5	67	67	96	109	-	S1	-
<b>LP6-6</b>	NSA LP6-6,0 T1	6	6	70	47	100	106		T1	-
<b>LP6-7</b>	NSA LP6-7,0 T1	6	7	151	34	94	100		T1	-
<b>LP6-10</b>	NSA LP6-10 T1	6	10	151	51	94	100		T1	-
<b>LP6-12 VdS</b>	NSA LP6-12 T1 VDS	6	12	151	51	94	100		T1	
<b>LP12-0.8</b>	NSA LP12-0,8	12	0.8	96	25	62	62	-	T20	-
<b>LP12-1.2 VdS</b>	NSA LP12-1,2 T1 VDS	12	1.2	97	43	52	58		T1	
<b>LP12-2.3 VdS</b>	NSA LP12-2,3 T1 VDS	12	2.3	178	35	60	66		T1	
<b>LP12-2.9</b>	NSA LP12-2,9 T1	12	2.9	79	56	99	105		T1	-
<b>LP12-3.2</b>	NSA LP12-3,2 T1	12	3.2	134	67	61	67		T1	-
<b>LP12-4L</b>	NSA LP12-4,0L T1	12	4	195	47	70	76		T1	-
<b>LP12-4.5</b>	NSA LP12-4,5 T1	12	4.5	90	70	101	107		T1	-
<b>LP12-5.4</b>	NSA LP12-5,4 T1	12	5.4	90	70	101	107		T1	-
<b>LP12-5.4</b>	NSA LP12-5,4 T2	12	5.4	90	70	101	107		T2	-
<b>LP12-7 VdS</b>	NSA LP12-7 T1 VDS	12	7	151	65	94	99		T1	
<b>LP12-7 VdS</b>	NSA LP12-7 T2 VDS	12	7	151	65	94	99		T2	
<b>LP12-7.2 VdS</b>	NSA LP12-7,2 T1 VDS	12	7.2	152	66	95	100		T1	
<b>LP12-7.2 VdS</b>	NSA LP12-7,2 T2 VDS	12	7.2	152	66	95	100		T2	
<b>LP12-7.8</b>	NSA LP12-7,8 T1	12	7.8	151	65	94	99		T1	-
<b>LP12-8.5</b>	NSA LP12-8,5 T1	12	8.5	151	65	94	100		T1	-
<b>LP12-9</b>	NSA LP12-9,0 T1	12	9	151	65	94	100		T1	-
<b>LP12-10H</b>	NSA LP12-10H T2	12	10	151	65	111	117		T2	-
<b>LP12-12</b>	NSA LP12-12 T2	12	12	151	98	95	101		T2	-

Model	Article number	Voltage (V)	Capacity (Ah)	Length (mm)	Width (mm)	Height (mm)	Total height (mm)	Layout	Terminal	VdS- certified
<b>LP12-12 VdS</b>	NSA LP12-12 T2 VDS	12	12	152	98	95	102		T2	
<b>LP12-17 VdS</b>	NSA LP12-17 T12 VDS	12	17	182	77	168	168		T12	
<b>LP12-18 VdS</b>	NSA LP12-18 T3 VDS	12	18	182	77	168	168		T3	
<b>LP12-20</b>	NSA LP12-20 T3	12	20	182	77	168	168		T3	-
<b>LP12-24 VdS</b>	NSA LP12-24 T3 VDS	12	24	166	175	125	125		T3	
<b>LP12-24 VdS</b>	NSA LP12-24 T12 VDS	12	24	166	175	125	125		T12	
<b>LP12-26 VdS</b>	NSA LP12-26 T12 VDS	12	26	167	175	125	125		T12	
<b>LP12-28</b>	NSA LP12-28 T3	12	28	166	175	125	125		T3	-
<b>LP12-33</b>	NSA LP12-33 T6	12	33	195	130	155	168		T6	-
<b>LP12-40</b>	NSA LP12-40 T6	12	40	198	166	169	169		T6	-
<b>LP12-40 VdS</b>	NSA LP12-40 T6 VDS	12	38	197	165	170	170		T6	
<b>LP12-45 VdS</b>	NSA LP12-45 T6 VDS	12	45	197	165	170	170		T6	
<b>LP12-50</b>	NSA LP12-50 T6	12	45	198	166	169	169		T6	-
<b>LP12-55</b>	NSA LP12-55 T6	12	50	257	132	200	200		T6	-
<b>LP12-60</b>	NSA LP12-60 T6	12	55	229	138	211	216		T6	-
<b>LP12-65H</b>	NSA LP12-65H T6	12	60	260	169	211	216		T6	-
<b>LP12-65</b>	NSA LP12-65 T6	12	65	350	167	182	182		T6	-
<b>LP12-65 VdS</b>	NSA LP12-65 T6 VDS	12	65	348	167	178	178		T6	
<b>LP12-80</b>	NSA LP12-80 T6	12	80	350	167	182	182		T6	-
<b>LP12-80H</b>	NSA LP12-80H T6	12	80	260	169	211	218		T6	-
<b>LP12-100</b>	NSA LP12-100 T11	12	100	328	172	215	220		T11	-
<b>LP12-120</b>	NSA LP12-120 T11	12	120	407	177	225	225		T11	-
<b>LP12-150</b>	NSA LP12-150 T11	12	150	483	170	241	241		T11	-
<b>LP12-200</b>	NSA LP12-200 T11	12	200	522	240	219	224		T11	-
<b>LP12-250</b>	NSA LP12-250 T11	12	260	521	268	220	225		T11	-



## CARE & MAINTENANCE

Maintain the LP series with the high frequency battery chargers of SPE which are specially designed for charging and maintaining industrial batteries. Available in 3 models. For smaller batteries within the LP series we advise the LC-2282.

Model	Specs	Description	Battery range (Ah)
<b>LC-2282</b>	12V 2A	LP charger for vrla agm batteries	7-20
<b>CBHD1 2-6</b>	12/24V 2.5/5A	high frequency battery charger	7-70
<b>CBHF1-SM 4-12</b>	12/24V 4/8/10/12A	high frequency battery charger	20-150
<b>CBHF2 15-30</b>	12/24/36/48V 15/20/25/30A	high frequency battery charger	75-400







**LANDPORT B.V.**

RAMGATSEWEG 63 | 4941 VN RAAMSDONKSVEER - THE NETHERLANDS

PHONE: +31 (0) 162 58 14 00 | FAX: +31 (0) 162 58 14 01

E-MAIL: [INFO@LANDPORTBV.COM](mailto:INFO@LANDPORTBV.COM) | [WWW.LANDPORTBV.COM](http://WWW.LANDPORTBV.COM)

**ACCU VIKS B.V.B.A.**

FILLIERSDREEF 65 | B-9800 DEINZE - BELGIUM

PHONE: +32 (0)9 386 78 58 | FAX: +32 (0)9 386 58 16

E-MAIL: [INFO@ACCUVIKS.BE](mailto:INFO@ACCUVIKS.BE) | [WWW.ACCUVIKS.BE](http://WWW.ACCUVIKS.BE)