

# Motorcycle Batteries



## intAct Bike-Power AGM

Sealed AGM battery (electrolyte held in Absorbent Glass Mat separators) | dry-charged, acid pack is included | maintenance-free after initial filling



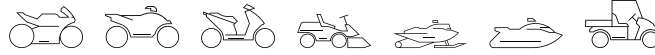
## AFFORDABLE ALL-ROUNDER

Withstands the frequent charging cycles in seasonal use and on many short trips slightly better than conventional flooded batteries and starts reliably even when not fully charged. Our recommendation for anybody in need of an affordable sealed motorcycle battery.

- » **High power reserve.** Significant starting power even when partially discharged.
- » **Shake-proof.** The plates are firmly embedded in the glass fibre mat.
- » **Maintenance-free after initial filling by a specialist dealer or workshop.** Refilling is then no longer possible and not necessary, because the then sealed battery loses virtually no liquid due to gas recombination.
- » **Not well suited for repeated deep discharging** (below 10.5 volts).
- » The battery can also be installed at an angle, as the electrolyte is held in the glass fiber mat and the battery is tightly sealed after filling.

# Datasheet

BIKE  
POWER **AGM**



Artnum. IA YTX14-BS

Japan-Code CTX14-BS

Volt 12V

Capacity 12 AH (c20)

CCR - 18°C (EN) 140 A (EN)

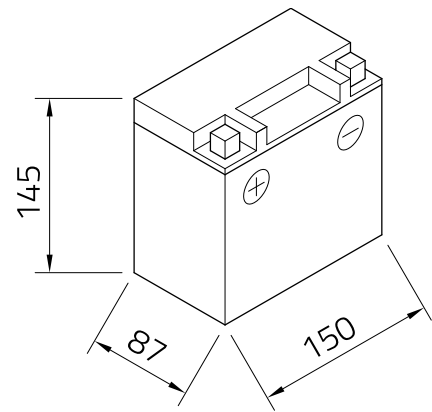
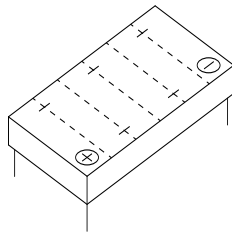
Electrolyte diluted sulphuric acid

Electrolyte density 1,32 +/- 0,01 kg/l (25°)

Size (LxWxH) 150 x 87 x 145 mm

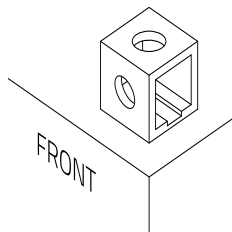
Weight 4,5 kg

Pos. of Terminal 1



Technology Sealed AGM battery (electrolyte held in Absorbent Glass Mat separators) | dry-charged, acid pack is included | maintenance-free after initial filling

Terminal A



Base plate -

**LANDPORT**  
BATTERIES

Landport Batteries  
Ramgatseweg 63  
4941VN Raamsdonksveer

+31 (0) 162 58 14 00  
www.landportbv.com